

SN/ SEHN25

Electric Horns for Vessels and Heavy Industrial Applications



Johannesburg Branch
 MIMIC COMPONENTS
 Cape Town Branch
 Mimic Cape



Steel Housing

105dB



SN

115dB



SEHN25



Common Specifications(SN/ SEHN25/ SEHN50)

- Steel housing provides excellent vibration and shock resistance under seismic conditions
- A variety of sound selections between warning sounds, alarm sounds, melodies and voice messages to fit your sophisticated application needs
- Can adjust sound volume with the switch built inside the unit
- Materials : Housing-Steel, Horn housing -Steel
- Housing standard color : Red
- Ambient operating temperature : -25°C to +50°C
- Protection rating : IP55, Suitable for outdoor installation
- Certificates : CE, KIMM Compliant

SN Max 105dB, Self Stand Type

Model number	Sound pattern	Volume	Voltage / Current	Certificates	Weight
SN	WS 5 Warning sounds	105dB	DC12V-24V / Max. 0.265A AC110V / 0.065A AC220V / 0.030A	 DC, AC220V Only	DC-0.91kg AC-1.06kg
	WM 5 Melodies	105dB			
	WA 5 Alarms	103dB			
	WV 5 Customizable sounds	95dB			

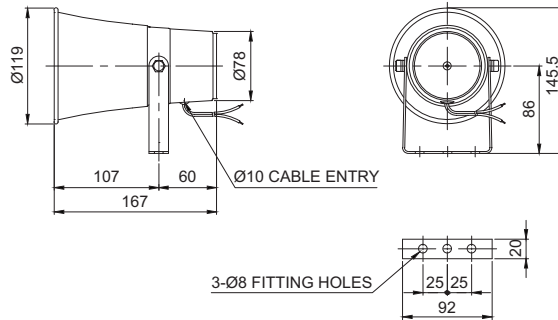
* Please refer to Page 104 for detailed information about selectable sound patterns.



Technical Diagram

(Units : mm)

SN



SEHN25 Max 115dB, Self Stand Type

Model number	Sound pattern	Volume	Voltage / Current	Certificates	Weight
SEHN25	WS 5 Warning sounds	115dB	DC12V / 2.211A DC24V / 1.022A AC110V / 0.226A AC220V / 0.113A		DC-2.26kg AC-2.48kg
	WM 5 Melodies	115dB			
	WA 5 Alarms	113dB			
	WV 5 Customizable sounds	108dB			

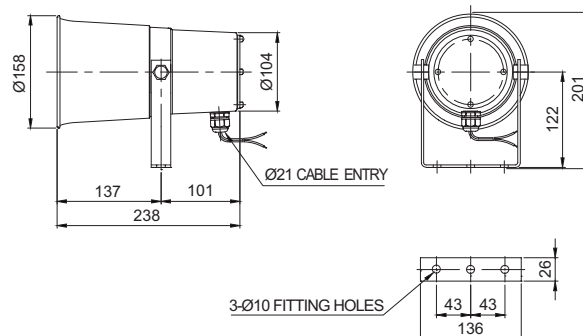
* Please refer to Page 104 for detailed information about selectable sound patterns.



Technical Diagram

(Units : mm)

SEHN25



SEHN50

Electric Horns for Vessels and Heavy Industrial Applications



Steel Housing

120dB



SEHN50

SEHN50 Max 120dB, Self Stand Type

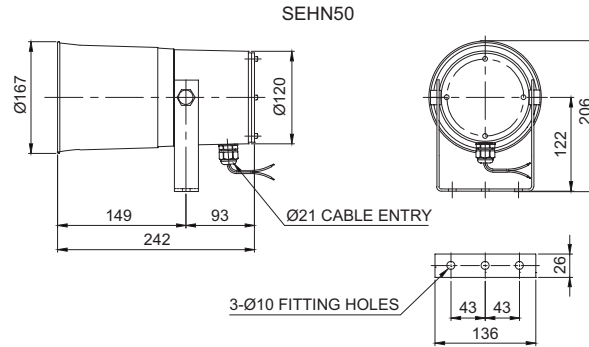
Model number	Sound pattern	Volume	Voltage / Current	Certificates	Weight
SEHN50	WS 5 Warning sounds	120dB	DC12V / 2.440A	KIMM	DC-2.67kg AC-3.30kg
	WM 5 Melodies	120dB	DC24V / 1.186A		
	WA 5 Alarms	118dB	AC110V / 0.244A		
	WV 5 Customizable sounds	115dB	AC220V / 0.122A		

* Please refer to Page 104 for detailed information about selectable sound patterns.



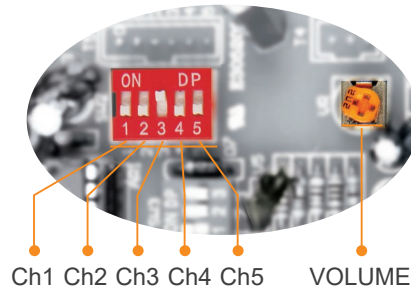
Technical Diagram

(Units : mm)



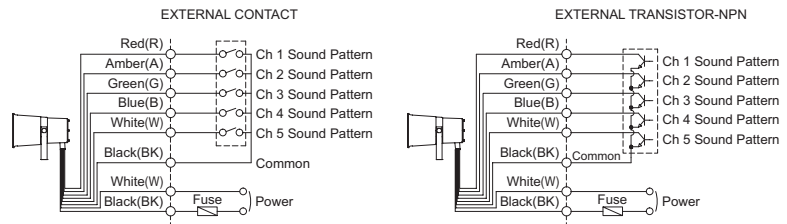
Sound Selection and Wiring Instructions

- Standard : Internal switch
- When each channel dip switch is on, a related sound will be played



- Customization : External contact(LC)

SN/ SEHN25/ SEHN50-DC/AC



- External power line standard : VCTF(0.75sq)×2C 400mm
- LC type signal line standard : UL1007 AWG22(0.3sq) 400mm
- Product can be wired regardless of polarity



Customization

- You can select the audible sound pattern using external contacts or transistor with a customized external sound line. (Model number : -LC)



Ordering Specification

SEHN25	WA	220	LC
[Model number]	[Sound]	[Voltage]	[Sound selection]
<ul style="list-style-type: none"> • SN • SEHN25 • SEHN50 	<ul style="list-style-type: none"> • WS-Warning • WM-Melody • WA-Alarm • WV-Customizable sound 	<ul style="list-style-type: none"> • 12-DC12V • 24-DC24V • 12/24-DC12V-24V (SN only) • 110-AC110V • 220-AC220V 	<ul style="list-style-type: none"> • Standard -Built-in switch • LC -External contact