

# MS 5716RU-M1

16 Channel Scanner  
with inbuilt Data logger  
and Modbus Facility



## TECH SPECS

Dimension (HxWxD) mm	192 x 96 x 165	
Panel Cutout (mm)	188 x 92	
Input	Thermocouple	J / K
	RTD	PT-100 2Wire / 3Wire
	Analog	0-10V DC / 0-20mA DC / 4-20mA DC ( Configurable )
Range	J: 400° C, K: 1200° C Pt100 : -99° C to 400° C Pt.1: -99.9° C to 400.0° C Analog : -999 to 9999	
Output	Output 1: RS 485 RTU MODBUS (Optional) Output 2: 8 Relay With (Optional) Output 3: USB Data Logging (Optional)	
Power Supply	100-250V AC (SMPS), 50/60 HZ 24V DC Available as per Requirement	

## APPLICATIONS

Motor Protection

Generator

Monitoring & Protection

Electrical Sub-station monitoring

Metal and Mining applications

Machine Condition Monitoring

Gas Detection

Laboratory Equipment Monitoring

# Technical Specifications

Display	
PV	0.70" Red LED 4 Digit
Channel Number and Relay Status	0.50" Green LED 4 Digit
LED Indications	Status of each relay and Alarm

Input	
ADC Resolution	12 bit
Display Resolution	Thermocouple : 1 °C RTD : 1 °C / 0.1 °C
Sampling Rate	250mS / Channel

Output	
Relay	
No of Relay	8
Type	NO - C Contact
Rating	5A @ 230V AC / 30V DC

Input Range	
Input Type	Range
J	0 to 400
K	0 to 1200
Pt-100	-99 to 400
Pt.1	-99.0 to 400.0
0-10V DC	-999 to 9999
0-20mA DC	-999 to 9999
4-20mA DC	-999 to 9999

Communication(Optional)	
Type	RS 485
Protocol	MODBUS RTU
Baud Rate	4800, 9600, 19200 (configurable)
Isolation	2500 V <sub>RMS</sub> Isolation as per UL 1577

Power Supply	
Standard	100 - 250V AC @ 50/60 Hz
Optional	24V DC
Consumption	11VA

Accuracy	
J , K , PT-100 , PT.1 0-10V DC, 0-20mA DC, 4-20mA DC	± 1 % FSD for J, K ± 0.5 % for Pt-100, Pt.1
CJC error	±2 °C
Sensor Open	All
T/C Burnout current	1.10uA
RTD excitation current	0.2mA
CMRR	> 120 db ( Typical )
Input Impedance	> 1 MΩ
Max Voltage	20V DC

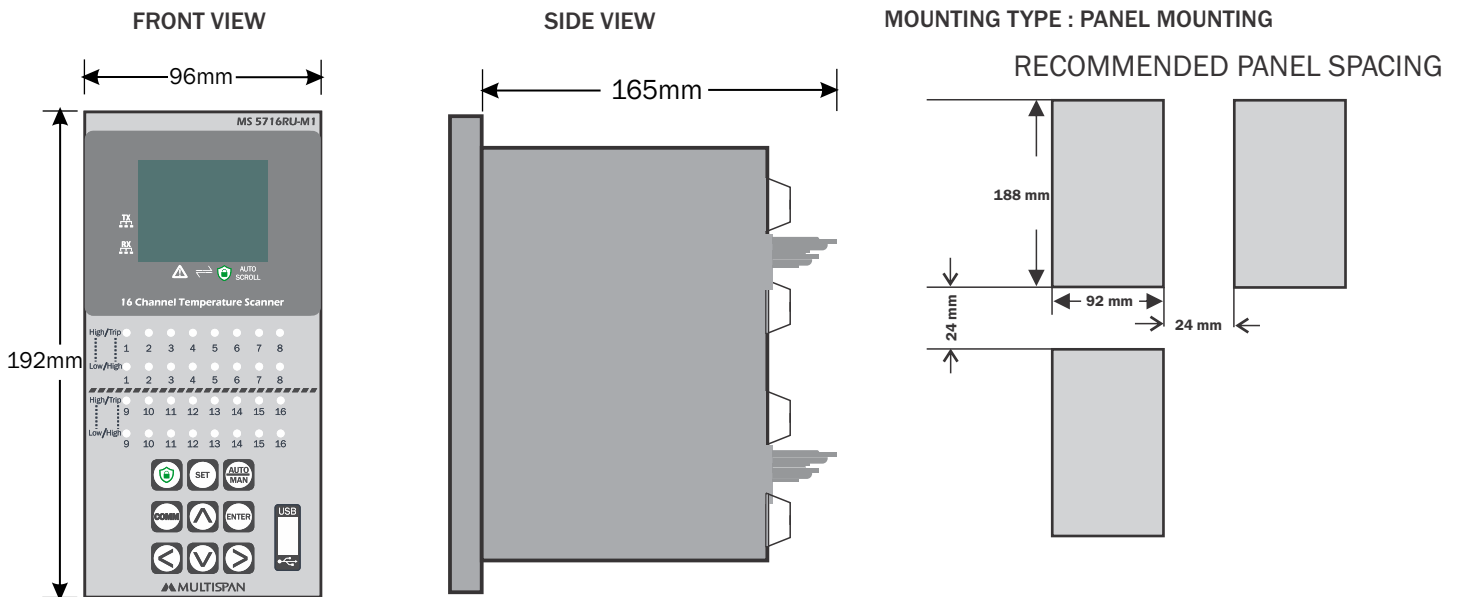
Data Logging (Optional)	
Memory Type	Non Volatile ( 2Mb )
Data logging type	Periodic
RTC time format	DD/MM/YY HH:MM:SS
Sampling Time	1 Sec minimum ( Programmable)
USB Port	1 ( USB 2.0 ) Mass Storage
USB Function	For retrieving logged data only
Storage device format	FAT 32
Data fetch file format	.CSV ( Microsoft Excel Supported)
Data retrieving option	Full data fetch
Periodic logging sample numbers	4000 max.
LED indication for memory full	After 75% memory occupied

Keys
9 controlling keys for configuration, operation and controlling

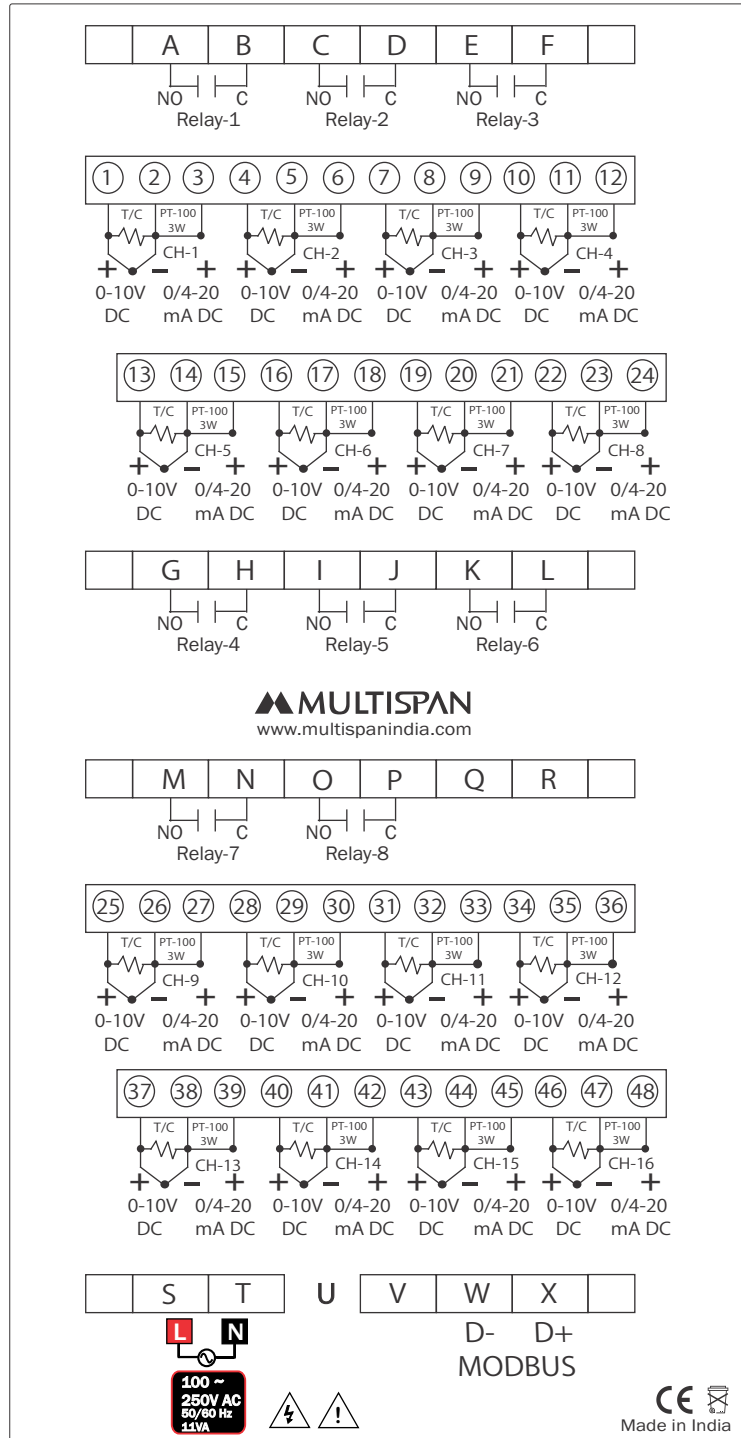
Environmental	
Operating Temperature	0 to 55°C
Storage Temperature	0 to 70°C
Humidity	95% RH Non-condensing
Protection	IP 65 ( Front Side ) not applicable for USB featured models.

Physical	
Enclosure	Metal
Weight	1.2 Kg
Color	Black
Front Bezel	192 x 96 x 165 mm
Panel cutout	188 X 92 mm
Depth behind panel	140 mm
Accessories	1 pair of Mounting clamp

## Mechanical Dimension



# Connection Diagram



We reserves the right to change specifications without prior notice. Printing and typographical errors reserved.

Product improvement and upgrade is a constant procedure. So for more updated operating information & support contact us. Mimic Components 011-689-5700