



MPC-1065

CLUTCH & BREAK CONTROL

TECH SPECS

Model	MPC-1065
Dimension (HxWxD) mm	96 x 96 x 52
Panel Cutout	92 x 92
Input	Clutch Proxy, Unwinding Motor Start Proxy, Eye Mark Sensor Proxy
Output	4Relay (NO-C),5A 230V AC
Power Supply	24V DC
Certification	CE

APPLICATIONS

Dust Collector

Food Processing

Bag Filtration

Hydroponic

Pharmaceutical

Technical Specifications

Input

Input (Start Pulse)	Clutch Proxy Unwinding Motor Start Proxy Eye Mark Sensor Proxy
---------------------	--

Physical

	MPC-1065
Enclosure	Molded ABS
Color	Black
Front Bezel (mm)	96 x 96
Panel cutout (mm)	92 x 92
Depth behind panel	52 mm
Accessories	1 pair of Mounting clamp
Terminal Cable Size	Barrier Type terminal Cable Size (2.5 mm ²)

Output

Relay	4 Nos RLY-1 Horizontal Seal RLY-2 Nitrogen Fill RLY-3 Batch Cutter RLY-4 Unwinding
Relay Type	NO-C
Rating	5A,230V AC

Display & Keys

Display	128 x 64 Bit Graphical LCD
Keys	SET, CURSOR UP/DOWN, INC, DEC, ENT/RST

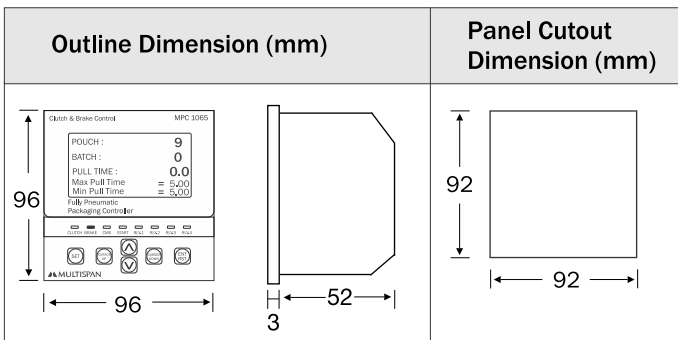
Power Supply

Standard	24V DC
Consumption	6VA

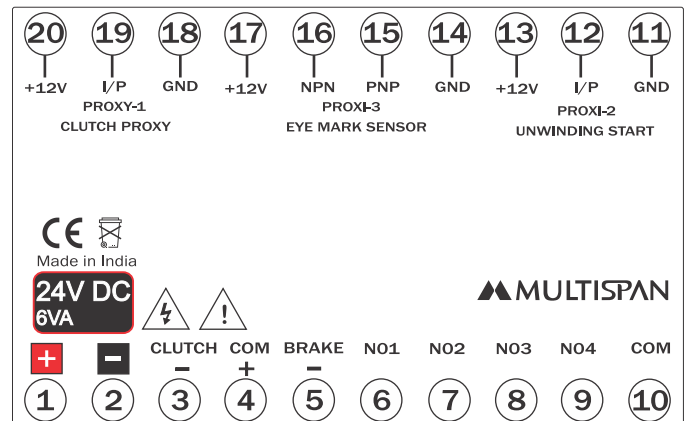
Environmental

Operating Temperature	0 to 55 °C
Storage Temperature	0 to 70 °C
Humidity	95% RH Non-condensing
Protection	IP 54 (Front Side)

Mechanical Dimension



Connection Diagram



We reserve the right to change specifications without prior notice. Printing and typographical errors reserved.
Product improvement and upgrade is a constant procedure. So for more updated operating information & support contact us.