

NIO Interface Relay



Introduction

The **NIO** series interface relays are devices for command and operation applications with wide application in industry. Built with high quality components, they are robust and reliable, and have a format suitable to meet the current requirements of the automation market. They have a system that allows electrical connections to be made very quickly. No screws are required. This speeds up the installation process. The switching relays are also easily and safely replaced. The interface relay is commonly used to isolate PLC I/O at the inputs and outputs. It protects the equipment against voltage spikes and short circuits.

Features

- NO, COM and NC contacts rated at 6 A
- AC and DC current switching
- Quick-on connection terminals
- 35mm DIN rail application (EN 60715)
- APPLICATIONS:
Electrical isolation, contact multiplying, signal and small loads switching

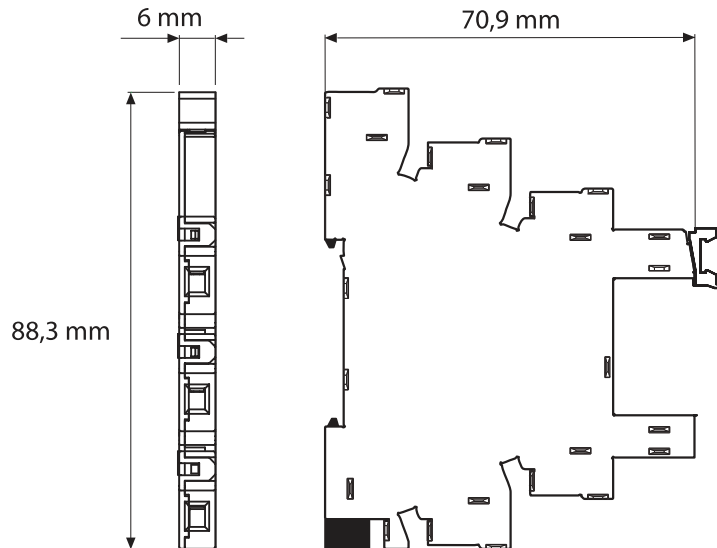
Specifications

Mechanical life	10,000,000 cycles
Electrical life with resistive load	60,000 cycles
Switching time	5 ms
Electrical insulation between input and output	1000 Vac
Operating temperature	-40 to 70 °C (-40 to 158 °F)
Enclosure protection	IP20
Wiring gauge	0.2 ~ 1.5 mm ²
Width	6.2 mm
	Input
Switching rated voltage (UN)	12/24/220 Vac/dc
Consumption	0.2/0.3/0.9 VA (W)
Holding voltage	0.8 ... 1.1 UN
Must drop-out voltage	0.6 UN

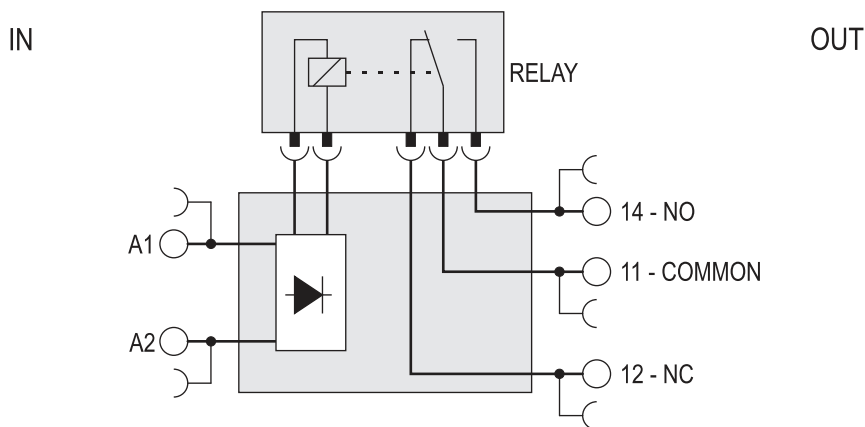
	Output
Rated current	6 A
Maximum instantaneous current	10 A
Working voltage	250 Vac/dc
Maximum working voltage	400 Vac/dc
Resistive load capacity	1500 VA
Inductive load capacity	300 VA
Capacity with monophase motor (220 Vac)	185 VA (1/4 HP)
Maximum resistive current DC (30V / 220 V)	6 A / 0,15 A
Contact material	AgNi

- OPTIONAL:
Accessories for identification and interconnections

Dimensions



Electrical Connections



Wiring: Spring loaded connectors appropriate for a single conductor with or without crimped terminal. Opening the contact is achieved by pressing the spring loaded connector with the tip of a screwdriver and the wire tip is then inserted.

How to Specify

Model	Description
Nio - 1R - 12VAD	Interface Relay with 1 SPDT relay, 12 Vdc/ac switching
Nio - 1R - 24VAD	Interface Relay with 1 SPDT relay, 24 Vdc/ac switching
Nio - 1R - 230VAD	Interface Relay with 1 SPDT relay, 230 Vdc/ac switching

20220914 - v2.0 relayinterface.nio - EN