

QWH Series



Wall mount electric horn that offers 31 pre-recorded warning sounds and 30 user selected sound messages



- Bit input offers 5 channels with 6 sound outputs
- Binary input offers 31 sound outputs and SD Card (MP3) combination

PRODUCT SPECIFICATION

QWH35(SD) | QWH50(SD)
QWH35T(SD) | QWH50T(SD)
QWH35B | QWH35BT

Materials Horn-PC+ABS, Housing-PC+ABS

Ambient operating temperature

- 30°C to +60°C (Standard type/Buzzer type)
- 50°C to +60°C (Low temperature type only DC)
- 20°C to +50°C (SDCard type)

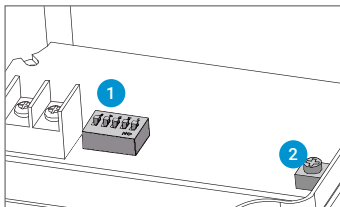
Cable entry PG 13.5

Protection rating IP66

Compliant with RoHS directive

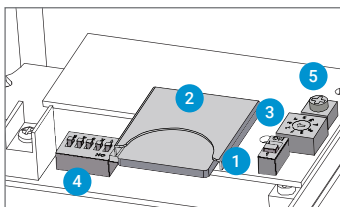
- Signal fit for the specific environment and condition.
- Options to select between 31 special warning sounds included in the pre-recorded sound type and SD Card(MP3) type
- Volume adjustment and sound selection switches located inside the unit. SD Card in the unit offers convenient operation.
- SD Card type allows the user to input the proper voice messages for specific operating conditions.
- Built-in special alarm type standard model and MP3(SDcard)
- Supports Binary Input Mode and Bit Input Mode for SD card
- * Bit Input Mode can select and play 5 sounds from No. 1 to No. 5 on MP3 files of SDcard
- Tightly sealed structure that blocks water and dust with IP66 protection rating suitable for outdoor installation
- QWH35T, QWH35TSD, QWH50T, QWH50TSD allow for easy wiring with separate terminal box (Built-in terminal block for wiring inside product)

Pre-recorded sound type



- 1 Switch for channel selection
- 2 Switch for volume adjustment

SD Card (MP3) type



- 1 Switch for sound pattern selection
- 2 SD Card slot for MP3
- 3 Switch for play mode selection
- 4 Switch for channel selection
- 5 Switch for volume adjustment

Sound Selection and Volume Adjustment Instructions

QWH series has control switches inside the unit for sound selection and volume adjustment. You can play customized sound message(MP3) with SD Card.

QWH series Product Category

QWH35(T)	Standard pre-recorded sound type
QWH35(T)SD	MP3(SD Card) type
QWH50(T)	Standard pre-recorded sound type, high volume output
QWH50(T)SD	MP3(SD Card) type, high volume output
QWH35B(T)	High volume type

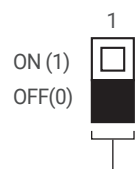
The input method of built-in sound type

	1	2	3	4	5
ON	<input type="checkbox"/>	<input type="checkbox"/>	<input type="checkbox"/>	<input type="checkbox"/>	<input type="checkbox"/>
OFF	<input type="checkbox"/>	<input type="checkbox"/>	<input type="checkbox"/>	<input type="checkbox"/>	<input type="checkbox"/>
No.	1	2	3	4	5
0	0	0	0	0	0
1	0	0	0	0	1
2	0	0	0	1	0
:	:	:	:	:	:
31	1	1	1	1	1

Select from 31 pre-recorded output sound options by using a combination of the 5 channel input switches. Selecting one sound by combining 5 switches is Binary Input Method The binary input method allows you to express each of the 31 alarm sound signals with a "0" or "1" by switching the 5 channels on and off as shown in the table.

Sound selection instruction for SD Card type

- You can select between pre-recorded sound mode and SD Card sound (MP3) mode with the SOUND selection switch.



- 31 built-in alarm sounds and special sound
- Supports SD Cards for external sound (MP3)
- Binary Input: 31Ch
- Bit Input: 5Ch(SD Card only)
- Please refer to [Sound pattern and combination for special alarm product] on this catalogue for detailed sound tone specification

Selection between pre-recorded sound mode and SD Card sound mode

0: pre-recorded sound mode

1: SD Card sound mode



QWH35 Wall Mount Electric Horn with Pre-Recorded Special Warning Sound, Max.115dB

Model number	Voltage	Current	Sound Pattern and volume	Certificates	Weight
QWH35 Built-in standard sound	DC12V-24V	Max. 0.930A	·Bit Input: 5Ch (SD Card) ·Binary Input: 31Ch ·Warning Sounds: Max.115dB (Based on WS-Ch31) ·MP3: Max.112dB	CE UL	0.9kg
	AC110V-220V	Max. 0.300A			
QWH35SD MP3	DC12V-24V	Max. 0.980A		UL	1.0kg
	AC110V-220V	Max. 0.270A			

※ UL Listed: DC12/24V

QWH50 Wall Mount Electric Horn with Pre-Recorded Special Warning Sound, Max.123dB

Model number	Voltage	Current	Sound Pattern and volume	Certificates	Weight
QWH50 Built-in standard sound	DC12V-24V	Max. 3.480A	·Bit Input: 5Ch (SD Card) ·Binary Input: 31Ch ·Warning Sounds: Max.123dB (Based on WS-Ch16) ·MP3: Max.115dB	CE UL	2.7kg
	AC110V-220V	Max. 0.460A			
QWH50SD MP3	DC12V-24V	Max. 4.310A		UL	2.8kg
	AC110V-220V	Max. 0.530A			

※ DC type model has a free-voltage range of 10V-30V.

※ AC type model has a free-voltage range of 100V-240V.

※ UL Listed: DC12/24V

※ When playing MP3 files, there may be difference of volume depending on user's audio file type.



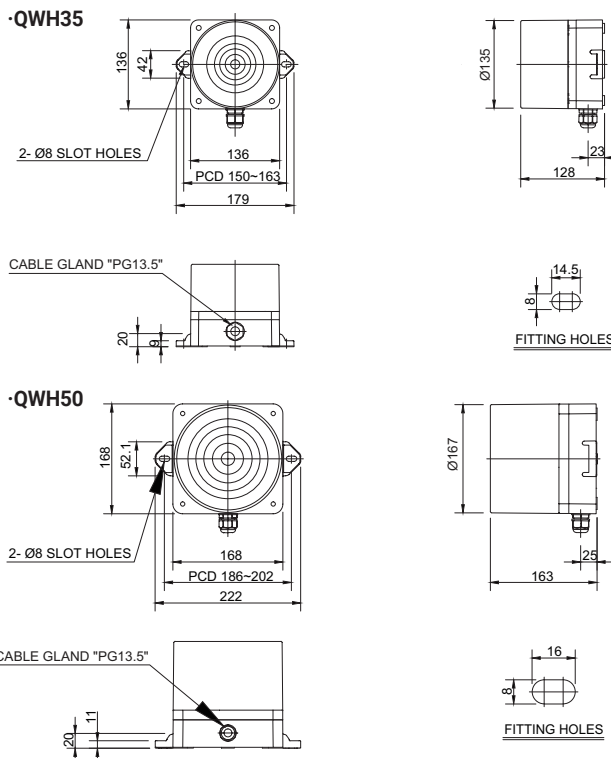
**QWH35 Series
(Max.115dB)**



**QWH50 Series
(Max.123dB)**

Technical Diagram

Units: mm



Wiring Instructions

QWH50	-	110/220	-	LC	-	INSD
[Model number]		[Voltage]		[sound selection]		[Including SD card]
QWH35		12/24-DC12V-24V		(Blank)-Standard type		(None)-Without SD card
QWH35SD		110/220-AC110V-220V		LC Type-Uses external contact		INSD-Including SD card
QWH50						
QWH50SD						

Customization

· External threading of signal line for sound selection(Model number: -LC)

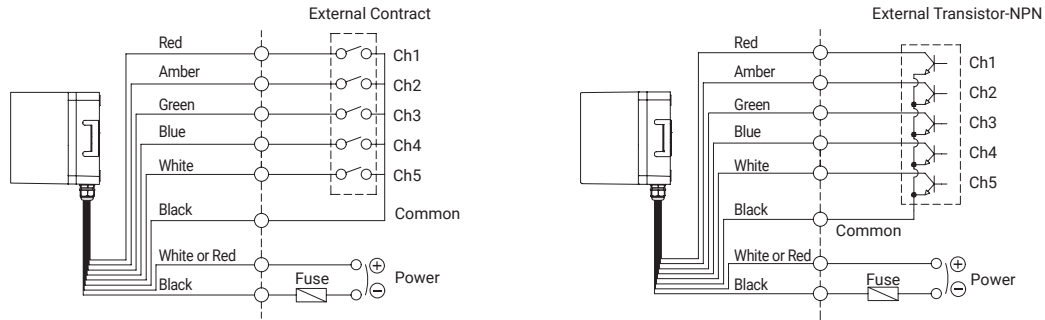
Wall mounted type electronic sounder with high volume



Wiring Instructions

- Standard specification: Uses internal switches
- Customization: Uses external contact

- QWH35 / QWH50-DC/AC
- QWH35T / QWH50T-DC/AC



- Channel selection, 5 sounds available with Bit input and 31 sound available with Binary input
- DC type : Black output line is negative(-)
- ※ Please refer to [Sound pattern and combination for multifunctional product] on this catalogue for channel input setting(Wiring instruction is replaced to channel selection switch).

MIMIC COMPONENTS

5 Ramsay Street, Booyens 2091, Johannesburg

sales@mimic.co.za www.mimic.co.za

P.O. Box 38493, Booyens 2016, Johannesburg, South Africa

TEL: +27(0)11 689-5700