

S100 series



Ø100mm LED Revolving Warning Lights for Vehicle



S100MLR

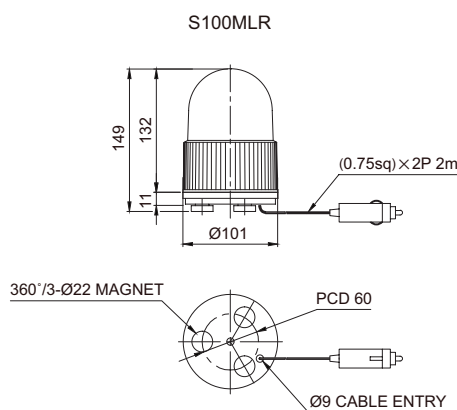


S100MLR LED Revolving Warning Light for Vehicle

- Three powerful magnets provide strong adhesion to the vehicle
- Power is supplied through the cigarette lighter plug
- Shock and vibration-resistant from vehicle operation with long-lasting LED
- Excellent omni-directional visibility with LED light collecting system and special multifaceted reflector
- Protection rating : IP54

Model number	Voltage	Current	Certificates	Weight	Color
S100MLR	DC12V	0.183A	-	0.37kg	<ul style="list-style-type: none"> ● R-Red ● A-Amber ● G-Green ● B-Blue
	DC24V	0.127A		0.37kg	

Technical Diagram (Units : mm)



Wiring Instructions

- Cigarette lighter plug, IEC42(0.75sq)×2P 2m

Customization

- AC Type

Ordering Specification

S100MLR	-	BZ	-	24	-	R
[Model number]		[Buzzer option]		[Voltage]		[Color]
• S100MLR		<ul style="list-style-type: none"> • None - No buzzer • BZ - Built-in buzzer 		<ul style="list-style-type: none"> • 12-DC12V • 24-DC24V 		<ul style="list-style-type: none"> ● R-Red ● A-Amber ● G-Green ● B-Blue