

SNES Series

Siren buzzer sound output of Max 105dB



SNESLR



SNESL

PRODUCT SPECIFICATION

SNESLR | SNESL
 SNES-S | SNES

Materials Lens-Tempered glass, Filter-PC, Housing-Al, Protection cage-ST316L, Reflector-PC, Reflector-Heat resistant ABS, Bracket-ST316L

Ambient operating temperature

-40°C ≤ Tamb ≤ +60°C

-20°C ≤ Tamb ≤ +55°C(TIIS)

Sound volume Siren buzzer, Max.105dB at 1m

Explosion protection rating

IECEX - Ex db IIC T6 Gb, Ex db op is IIC T6 Gb (with LED)

ATEX - Ex II2G Ex db IIC T6 Gb, Ex db op is IIC T6 Gb (with LED)

NEPSI, CCC - Ex db IIC T6 Gb, IP66

KCs - Ex d IIB+H2 T6 IP66

TIIS - Ex d IIC T6 Gb, IP66

Certificates

IECEX, ATEX, NEPSI, CCC, KCs, CCS, CCC(F), TIIS

Cable entry 1/2" NPT

Housing standard color MUNSELL No. 7.5BG 7/2

- Light weight and compact explosion proof signal beacon with a siren buzzer
- A variety of light source selections from bulb, LED, and xenon lamp
- Aluminum housing provides excellent durability
- Fully enclosed structure with protection rating of IP66
- Integrated housing and terminal box model

※ Usable voltage AC120V: AC110V-120V, AC230V: AC220V-230V

SNESLR LED Revolving Signal Beacon with Siren Buzzer

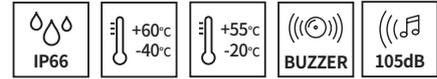
Model number	Voltage	Current	Sound pattern and volume	Certificates	Weight	Color
SNESLR	DC12V	370mA	· Warning sound(Buzzer) : Max.105dB		3.60kg	<ul style="list-style-type: none"> ● R-Red ● A-Amber ● G-Green ● B-Blue
	DC24V	370mA			3.60kg	
	AC120V	95mA			4.30kg	
	AC230V	50mA			4.30kg	

- Excellent omni-directional visibility with LED light collecting system and special multifaceted reflector
- Revolving speed: 120-140RPM

SNESL LED Steady/Flashing Signal Beacon with Siren Buzzer

Model number	Voltage	Current	Sound pattern and volume	Certificates	Weight	Color
SNESL	DC12V	270mA	· Warning sound(Buzzer) : Max.105dB		3.65kg	<ul style="list-style-type: none"> ● R-Red ● A-Amber ● G-Green ● B-Blue
	DC24V	340mA			3.65kg	
	AC120V	90mA			4.30kg	
	AC230V	50mA			4.30kg	

- Long-lasting high intensity LED light source
- Suitable for applications where bulb replacement is hard
- Built-in steady/flashing selection switch
- Flashing rate: 60-80 flashes/min



SNES-S Xenon Strobe Signal Beacon with Siren Buzzer

Model number	Voltage	Current	Xenon lamp			Sound pattern/ dB	Certificates	Weight	Color	
			Spec	Standard	Parts no					
SNES-S	DC12V	590mA				· Warning sound(Buzzer) : Max.105dB		3.60kg	● R-Red	
	DC24V	450mA	200V	BGA2120	47				3.60kg	● A-Amber
	AC120V	120mA	-350V						4.25kg	● G-Green
	AC230V	80mA		I type					4.25kg	● B-Blue

- Lamp connector fastening structure allows for convenient lamp replacement
- Excellent long-distance visibility with strong flashing signal diffusion
- Flashing rate: 60-80 flashes/min



SNES-S

SNES Bulb Revolving Signal Beacon with Siren Buzzer

Model number	Voltage	Current	Bulb			Sound pattern/ dB	Certificates	Weight	Color	
			Spec	Standard	Parts no					
SNES	DC12V	1.4A	12V15W	G23 15S	17	· Warning sound(Buzzer) : Max.105dB		3.70kg	● R-Red	
	DC24V	940mA	24V15W	G23 15S	18				3.70kg	● A-Amber
	AC120V	200mA	12V15W	G23 15S	17				4.40kg	● G-Green
	AC230V	110mA	12V15W	G23 15S	17				4.40kg	● B-Blue

- Excellent signal light diffusion effect with multi-faced reflector
- Revolving speed: 120-140RPM

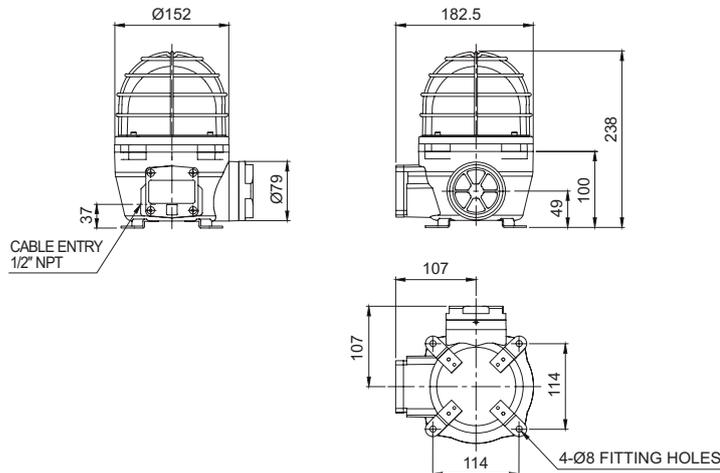


SNES

Technical Diagram

·SNESLR / SNESL / SNES-S / SNES

Units: mm



Ordering Specification

SNES	230	R	IECEx
[Model number]	[Voltage]	[Color]	[Certificates]
SNESLR	12-DC12V	● R-Red	IECEx
SNESL	24-DC24V	● A-Amber	ATEX
SNES-S	120-AC120V	● G-Green	KCS
SNES	230-AC230V	● B-Blue	TIIS(SNESLR only) CCC(NEPSI)

Customization

- Explosion proof cable gland attached type available (Standard type does not come with explosion proof cable gland)
- 2 ways cable entries
- M20x1.5 cable entry
- 48VDC voltageproduct (excluding KCS, TIIS)